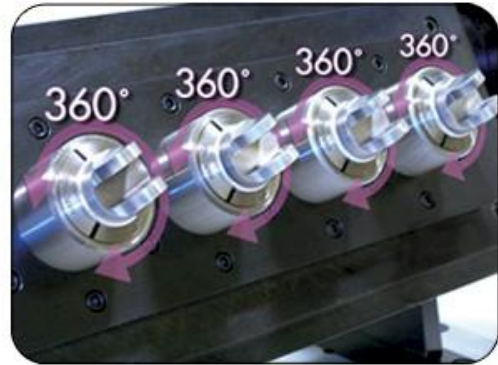
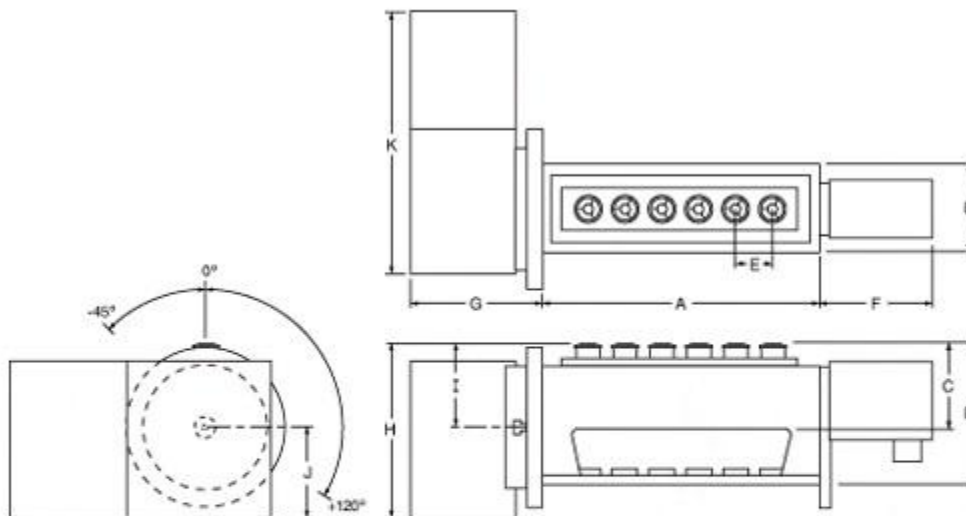


Tilt Rotary MultiDex 360



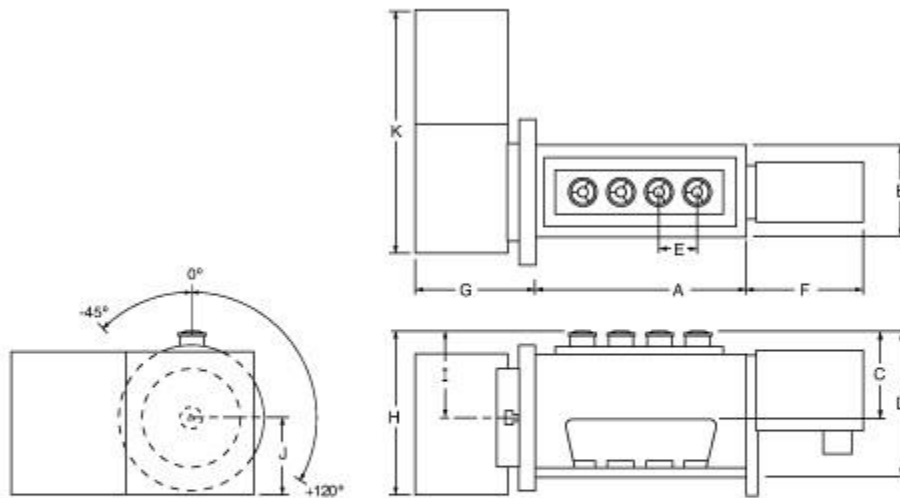
Beere multi-collet fixtures are now available in 2, 4, and 6 cell models mounted on an indexer for all your 4th and 5th axis positioning.

- 2.5 Inch Center Distance
- 4th and 5th Axis Positioning
- Ultra-Compact "Smallest" Footprint in the Industry
- Tilt Range: Minus 45° - Plus 120° ±30 Seconds
- Rotary Range: 360° ±30 Seconds
- Programmable
- RS232 Port and Daisy Chain Capable
- Standard 5C Collets
- Hydraulic Dead Length Clamping
- Hydraulic Brake
- Adjustable Work Stops
- Special Machine to Fixture Motor Matching on Request
- Ground and Machined Mounting Plate Available

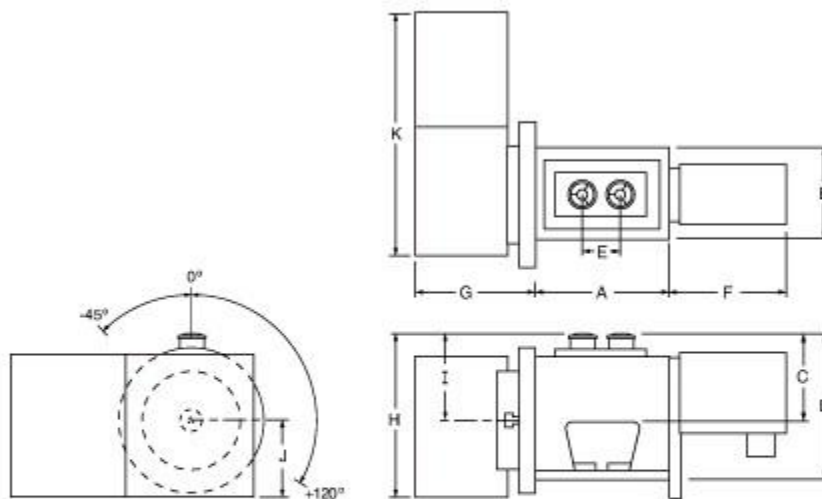


In-Line 6 Collet Fixture Specifications

	A	B	C	D	E	F	G	H	I	J	K
Dimensions	18.750	6.250	6.300	9.500	2.500	7.625	8.680	11.490	5.190	6.300	18.110
Weight: 355 lbs. approx.				Collet Style: 5C			Maximum Gripping Pressure: 2500				



In-Line 4 Collet Fixture Specifications											
	A	B	C	D	E	F	G	H	I	J	K
Dimensions	13.750	6.250	6.300	9.500	2.500	7.625	7.690	10.310	5.190	5.120	15.550
Weight: 248 lbs. approx.				Collet Style: 5C			Maximum Gripping Pressure: 2500				



In-Line 2 Collet Fixture Specifications											
	A	B	C	D	E	F	G	H	I	J	K
Dimensions	8.750	6.250	6.300	9.500	2.500	7.625	7.690	10.310	5.190	5.120	15.550
Weight: 213 lbs. approx.				Collet Style: 5C			Maximum Gripping Pressure: 2500				