

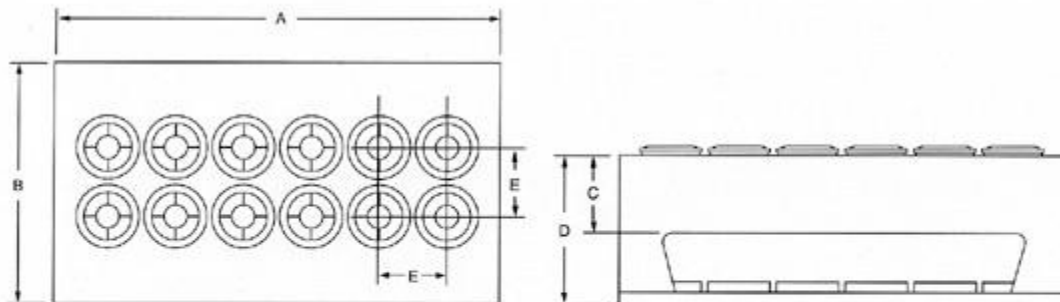


Collet Fixture - 3J

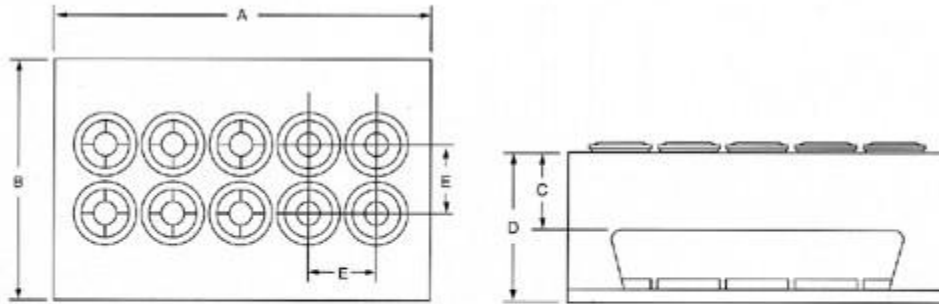


Now available in 4, 6, 8, 10, and 12 cell versions with 3-1/8" center distance, dead-length clamping and all the standard features you've known from our famous 5C collet fixtures.

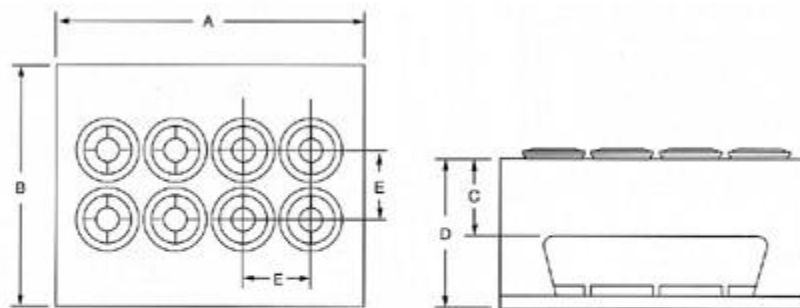
- Dead-Length Clamping
- Gang-Machine Parts
- Standard 3J Collets on Uniform 3.125 Center
- Fast Loading and Unloading
- Load From Front or Rear
- Air Over Hydraulic Clamping
- No Radial Movement
- Positive Bottom Stops
- Cut Tool Change Time by 90%



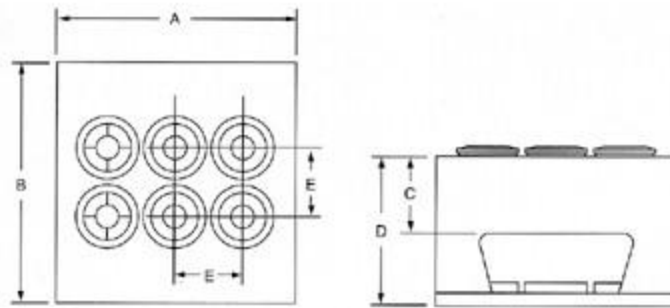
12 Collet Fixture Specifications					
	A	B	C	D	E
Dimensions	20.375	11.000	3.562	6.750	3.125
Weight: 220 lbs. approx.	Collet Style: 3J		Maximum Gripping Pressure: 2500		



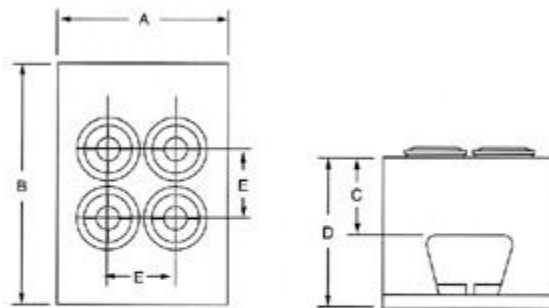
10 Collet Fixture Specifications					
	A	B	C	D	E
Dimensions	17.250	11.000	3.562	6.750	3.125
Weight: 190 lbs. approx.	Collet Style: 3J		Maximum Gripping Pressure: 2500		



8 Collet Fixture Specifications					
	A	B	C	D	E
Dimensions	14.125	11.000	3.562	6.750	3.125
Weight: 160 lbs. approx.	Collet Style: 3J		Maximum Gripping Pressure: 2500		



6 Collet Fixture Specifications					
	A	B	C	D	E
Dimensions	11.000	11.000	3.562	6.750	3.125
Weight: 130 lbs. approx.	Collet Style: 3J		Maximum Gripping Pressure: 2500		



4 Collet Fixture Specifications					
	A	B	C	D	E
Dimensions	7.875	11.000	3.562	6.750	3.125
Weight: 100 lbs. approx.	Collet Style: 3J		Maximum Gripping Pressure: 2500		